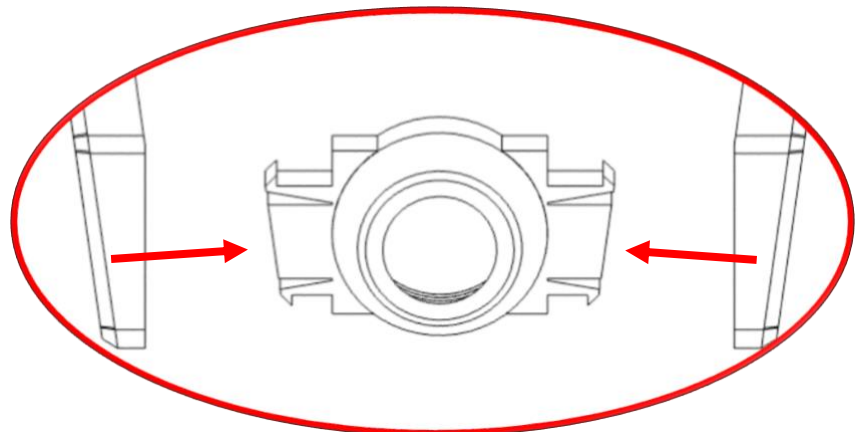
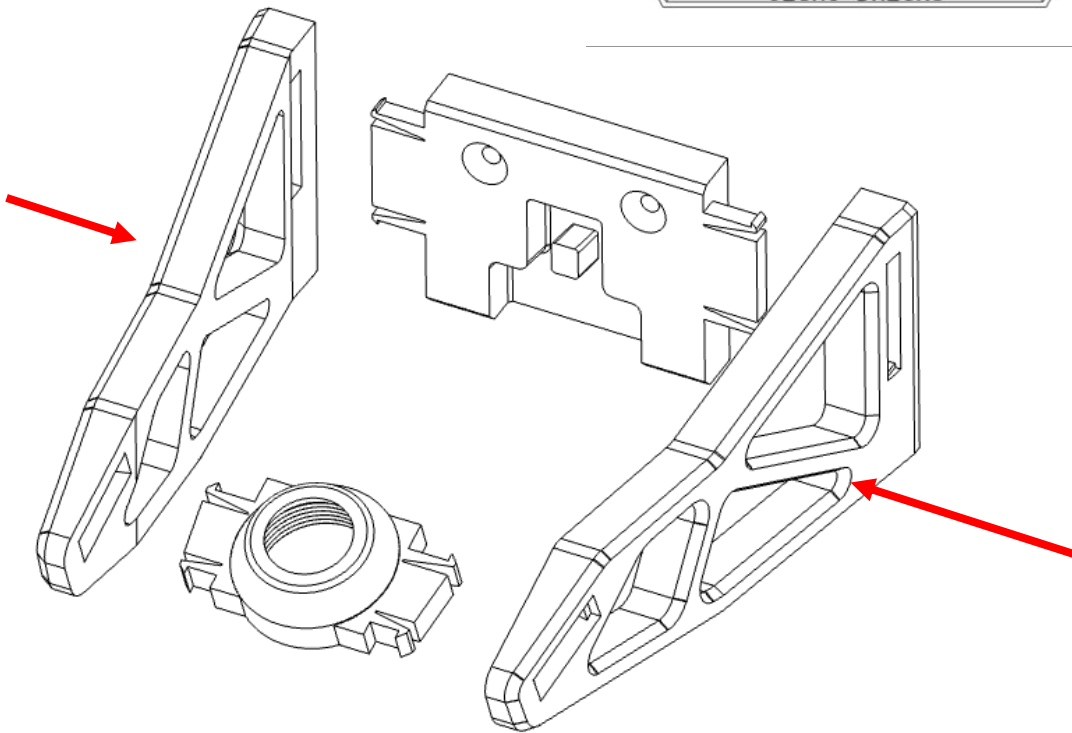
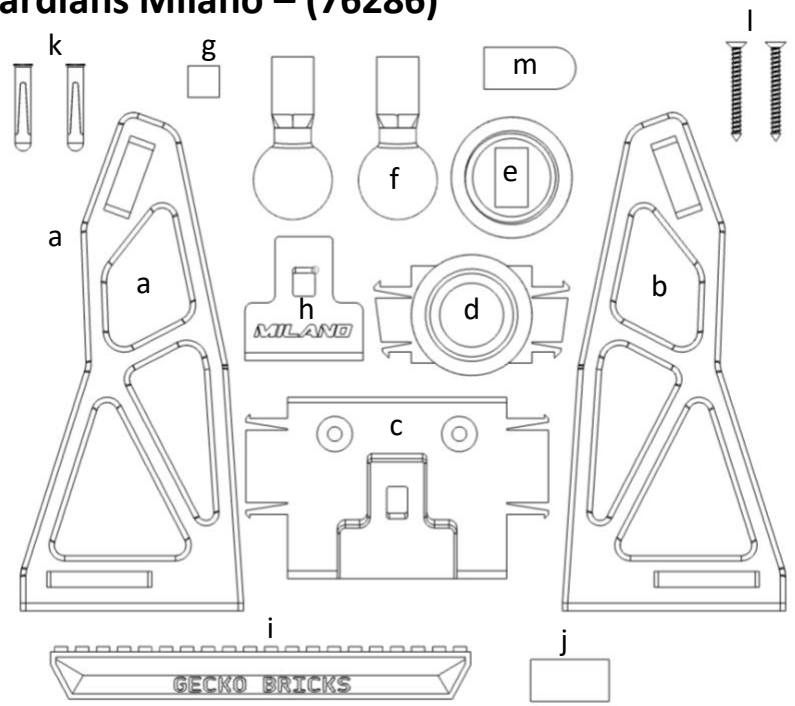
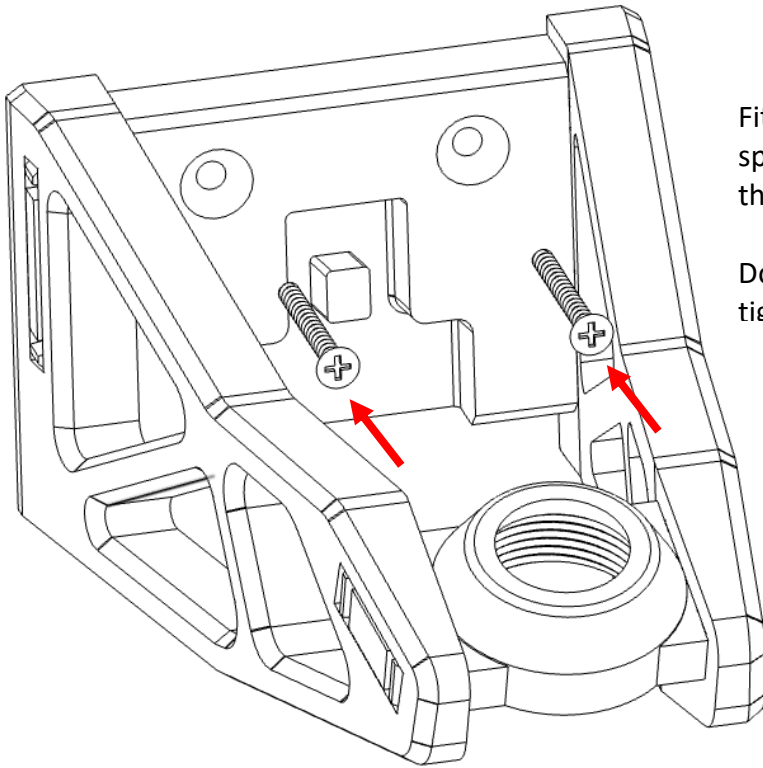


## Wall Mount Instructions Guardians Milano – (76286)

- A - 1x Left arm
- B - 1x Right arm
- C - 1x Wall stretcher
- D - 1x Front Stretcher
- E - 1x Ball joint cap
- F - 2x ball joint halves
- G - 1x ball joint connector
- H - 1x Key piece
- I - 1x Minifigure mount
- J - 1x Minifigure mount lug
- K - 2x Wall plug (6x30mm)
- L - 2x Wall screw (4.5x50mm)
- M - 1x Small Command strip

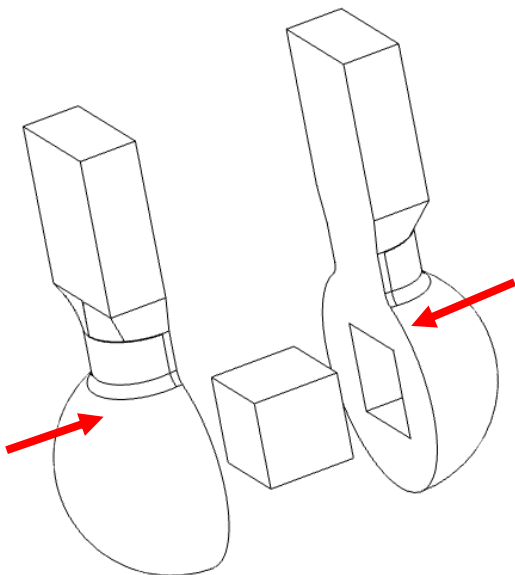


## Wall Mount Instructions Guardians Milano – (76286)

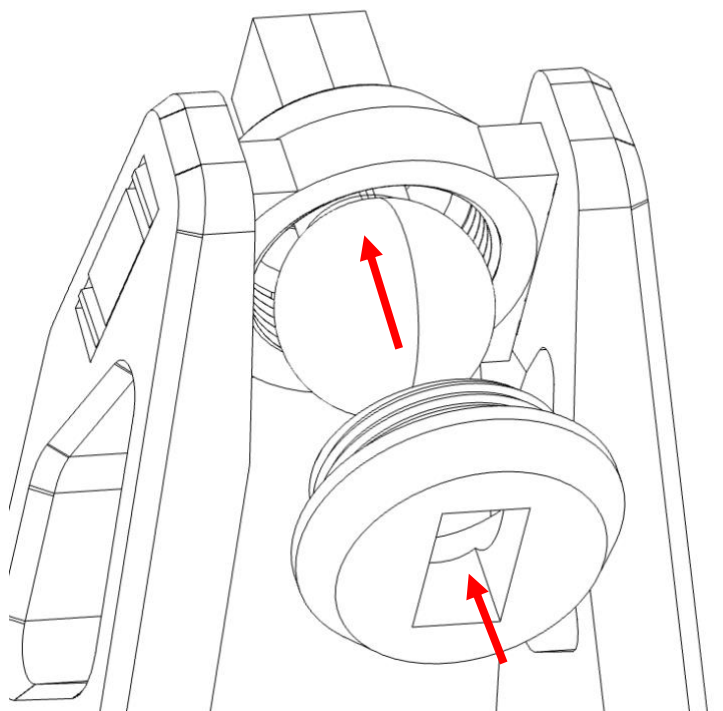


Fit the wall plugs into your wall using the spacing of the two mount points. Then Install the wall screws.

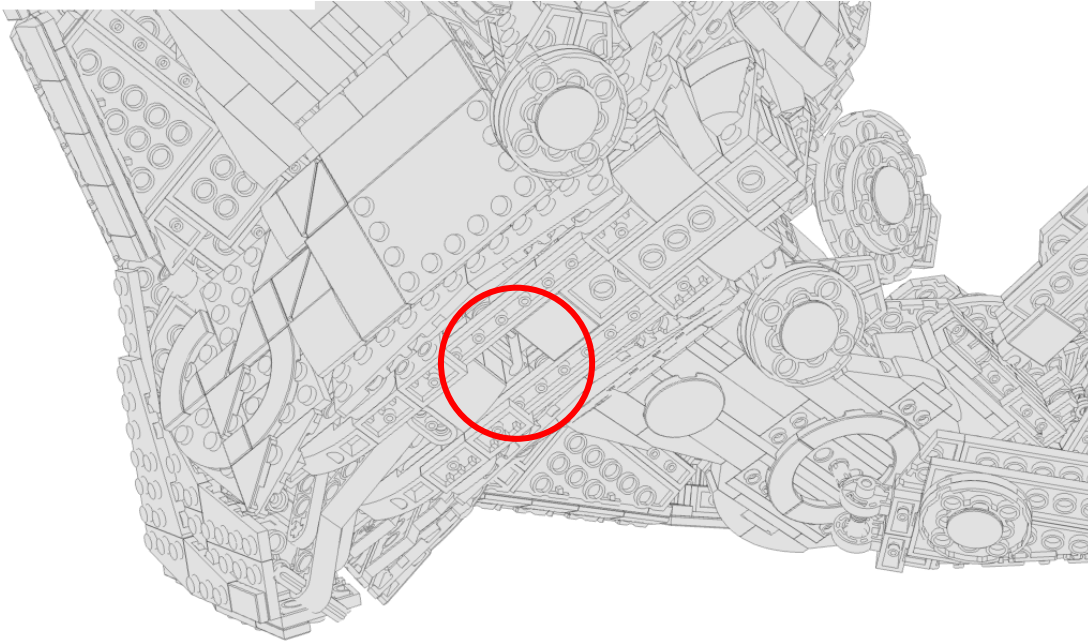
Do not over tighten (do not use a drill to tighten).



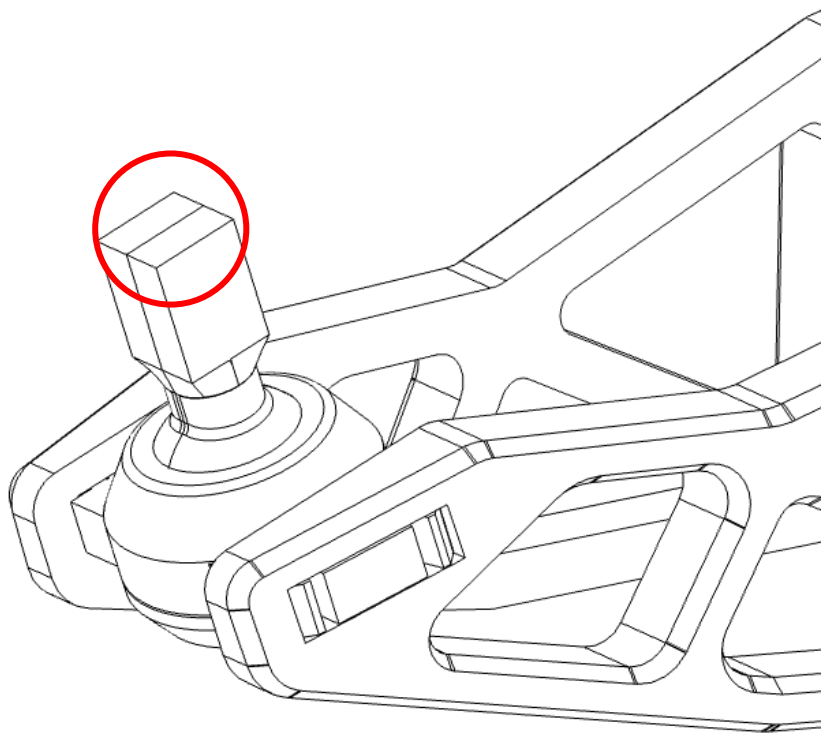
Feed the ball joint through the lower stretcher and screw the ball joint cap on to secure it in place.



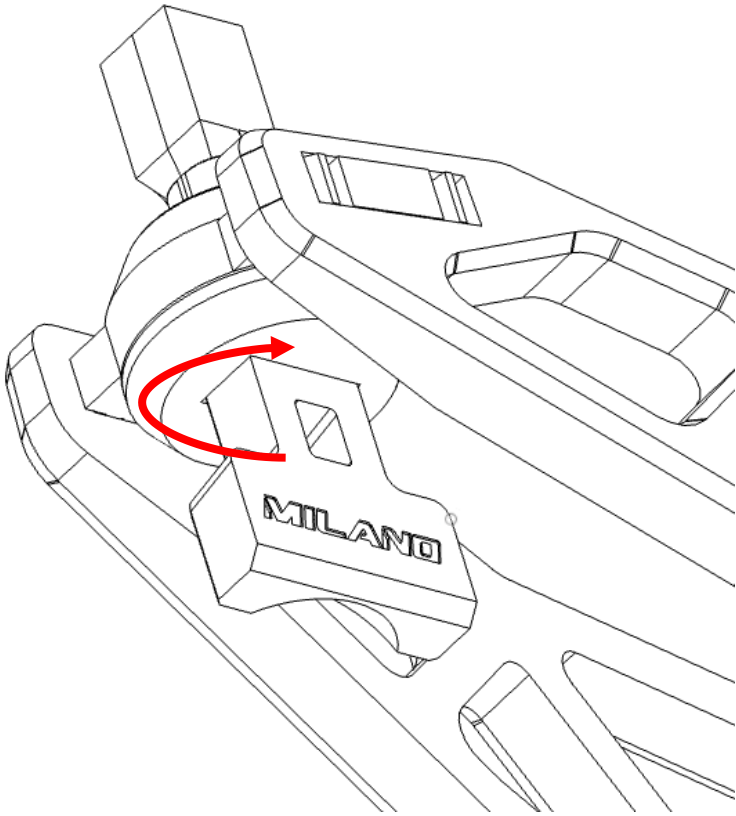
## Wall Mount Instructions Guardians Milano – (76286)



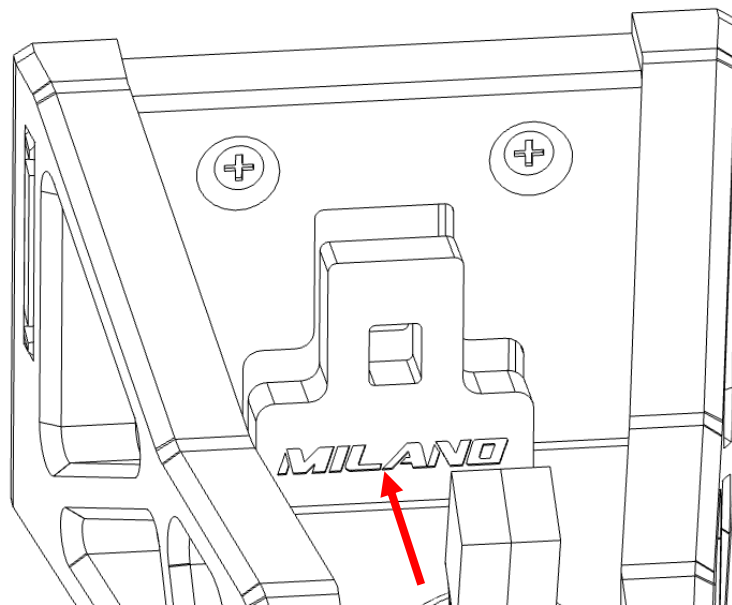
Seat the ship onto the lug as shown.  
Ensure that the lug is fully inserted into  
the model.



## Wall Mount Instructions Guardians Milano – (76286)

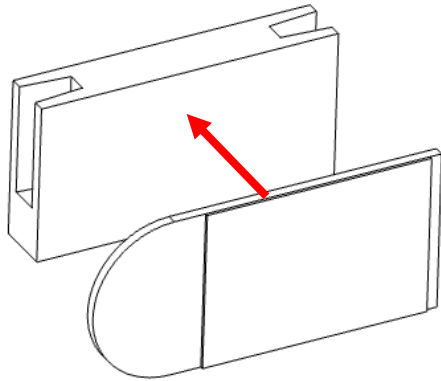


Use the key piece to tighten the ball joint to lock the ship in position.

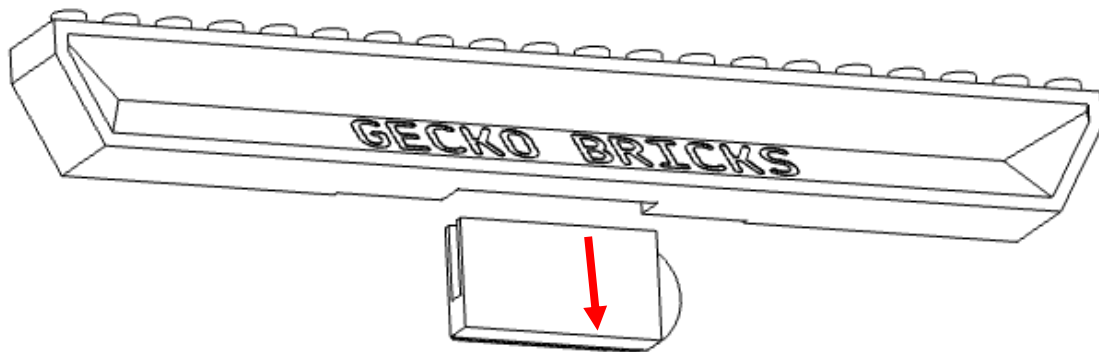


House the key piece in the wall stretcher for future use. For the first few weeks you will need to periodically tighten the ball joint to maintain the tightness of the joint.

## Wall Mount Instructions Guardians Milano – (76286)



Apply the small 3M poster command strip to the minifigure cleat as shown. Then adhere the cleat to the wall holding in place for 30 seconds.



Lower the minifigure stand onto the cleat.